



## Untouchable VIP® and VIP FL/3

### Front/Rear Load Compactor

The Marathon® **Untouchable VIP** was developed from a growing need for superior compaction in a small footprint. Originally developed for the narrow alleyways of Chicago, it's perfect for areas with limited space where compaction is necessary.



Untouchable VIP®



### Untouchable VIP® Features

- ▼ *Use for front- or rear-load applications*
- ▼ *Extra-low feed heights*
- ▼ *Rigid anchoring platform*
- ▼ *Triple-interlock safety system*



VIP FL/3



**Environmental  
Solutions Group®**

a DOVER company

## Untouchable VIP® (Vert-I-Pack) Compactor/Container

### Perfect for:



*Shopping malls*



*Supermarkets*



*Restaurants*



*Alleys*



*Hospitals*



*In-plant assembly areas*

- ▼ The **Untouchable VIP** is a real space saver – with more than 13 tons of crushing force, it reduces the contents of many open containers into one Vert-I-Pack container. This saves your hauler time because there is only one container to pick up. With improved housekeeping, the **Untouchable VIP** keeps liquids off the ground, which helps control odor and rodents. It also prevents weekend overflow, which eliminates the need to schedule those expensive weekend pickups.
- ▼ The **Untouchable VIP** is designed with the user in mind and has no heavy or clumsy lids to open and close.
- ▼ The **Untouchable VIP** controls employee pilferage – optional security kit (rear feed units only) enables the unit to be fed from inside the building, eliminating the temptation of employees to put merchandise into a box, stash the box in the trash container, and return later to retrieve the merchandise.
- ▼ The **VIP FL/3** self-contained compactor has many of the same features, except the power unit is accessed via the rear of the machine.

### Containers with Casters

- ▼ The **Untouchable VIP** container features heavy-duty casters, which allow it to be rolled to an area that is accessible by the waste collection vehicle.



#### Side-Mounted Power Unit

The side-mounted power unit offers easy access for maintenance on the motor and electrical components on the **Untouchable VIP**.

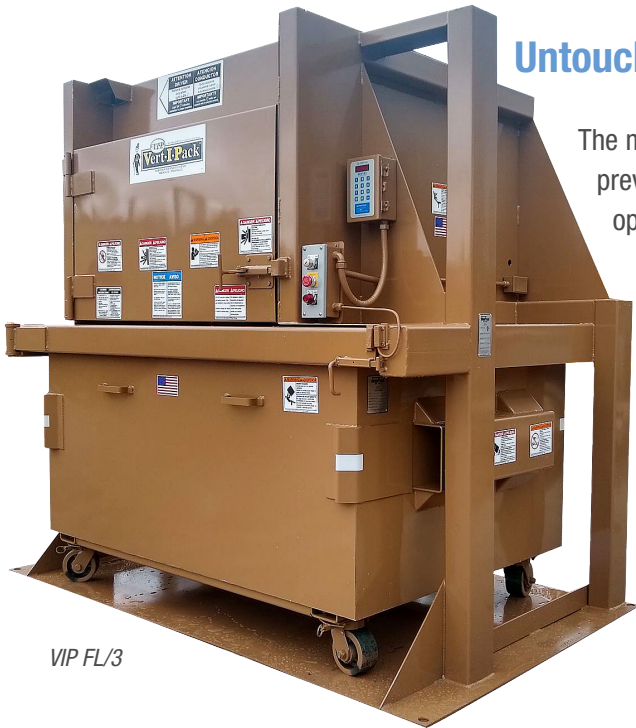


#### Integrated Driver Light

The Integrated Driver Light on the **Untouchable VIP** illuminates green to signal the driver that the container is okay to be removed and dumped, making operation quick and simple.

## Untouchable VIP® Triple Lock

The mechanical door interlock prevents the door from being opened at all times except when the unit is in the proper feeding position. A second interlock prevents the unit from cycling (operating) when the door is in the open position. The third interlock prevents the unit from functioning when the container is not in the proper position.



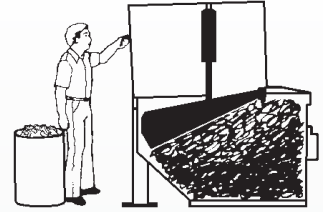
VIP FL/3



Untouchable VIP®

## Simple User Operation

1



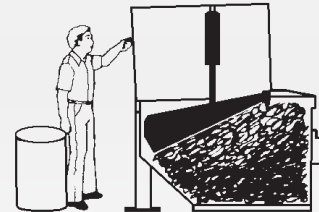
The operator inserts the key and turns it to the "UP" position. When the ram moves to the up position the door can be opened.

2



The large opening allows even a 30-gallon container to be emptied easily. The new waste material is dumped into the cavity left in the container by the previous ram position.

3



### Auto-Cycle is standard!

After feeding, the operator turns the key to the "pack" position and then removes the key. The ram will cycle automatically to the down position to compact and hold the waste material there until the next loading cycle.

More than 13 tons (11,793 kg) of crushing power forces the ram 18" (457mm) into the container.

*Note: Control sequence not applicable to VIP FL/3, which has load/pack controls.*



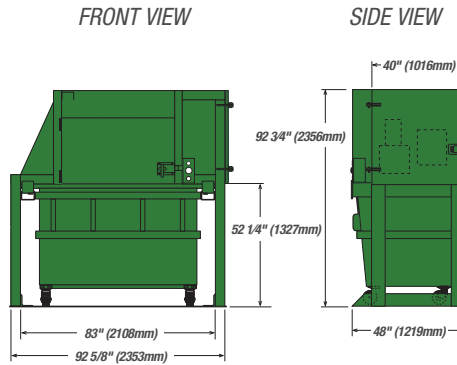
# FRONT/REAR LOAD COMPACTORS



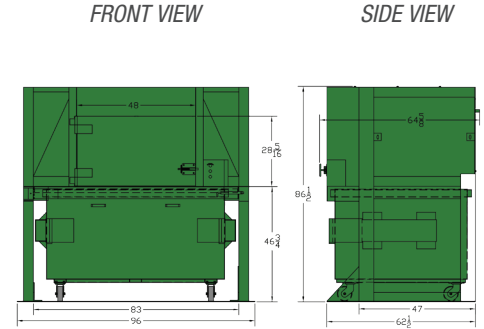
## Untouchable VIP® and VIP FL/3 Dimensions and Specifications

Specifications		
Container Capacity	0.52 yd <sup>3</sup>	0.40 m <sup>3</sup>
Feed Opening (L x W)	23.5" x 45"	597mm x 1143mm
Ram-Face Size (W x H)	48" x 36"	1219mm x 914mm
Performance Characteristics		
Cycle Time	30 sec.	
Total Normal Force	26,400 lbs.	117 kN
Total Maximum Force	30,200 lbs.	134 kN
Ram-Face Pressure	15.3 psi	105 kPa
Maximum Ram-Face Pressure	17.5 psi	121 kPa
Ram Penetration	18"	457mm
Electrical Equipment		
Electric Motor 3/60/208-575	3 hp	2.2 kW
Electric Control Voltage	120 VAC	
Standard Controls Include	Three-Button Station Start/Stop/Reverse	
Hydraulic Equipment		
Hydraulic Pump	3 gpm	11 L/min
Normal Pressure	2,100 psi	145 bar
Maximum Pressure	2,400 psi	166 bar
Hydraulic Cylinder(s)	1	
Bore	4"	102mm
Rod	2"	51mm
Stroke	16"	406mm

### Dimensions Untouchable VIP®



### Dimensions VIP FL/3



Untouchable VIP® Dimensions		
Feed Height	52 1/4"	1327mm
Overall Height	92 3/4"	2356mm
Overall Width	92 5/8"	2353mm
Overall Depth	48"	1219mm
Complete Assembly Weight	3,675 lbs.	1667 kg

VIP FL/3 Dimensions		
Feed Height	46 3/4"	1187mm
Overall Height	86 1/2"	2197mm
Overall Width	96"	2438mm
Overall Depth	62 1/2"	1588mm
Complete Assembly Weight	3,464 lbs.	1571 kg

Pictures and mechanical diagrams in this literature are illustrative only and may not be to scale. Specifications are subject to change without notice in order to accommodate improvements to the equipment. Certified in compliance with ANSI standard Z245.2, all applicable OSHA Regulations. Products must be used only by trained operators in accordance with the Operator Manual, as well as applicable regulations, laws, and ANSI standards.

#### We're Here To Help!

For detailed specifications, recommendations, or to request a site survey comparing various systems, contact the Marathon® Sales Team at [MarathonSales@MarathonEquipment.com](mailto:MarathonSales@MarathonEquipment.com)

#### Authorized Dealer:



Marathon Equipment Company | P.O. Box 1798 | Vernon, AL 35592-1798

Learn more about Marathon Equipment: 800.633.8974 | [www.marathonequipment.com](http://www.marathonequipment.com)